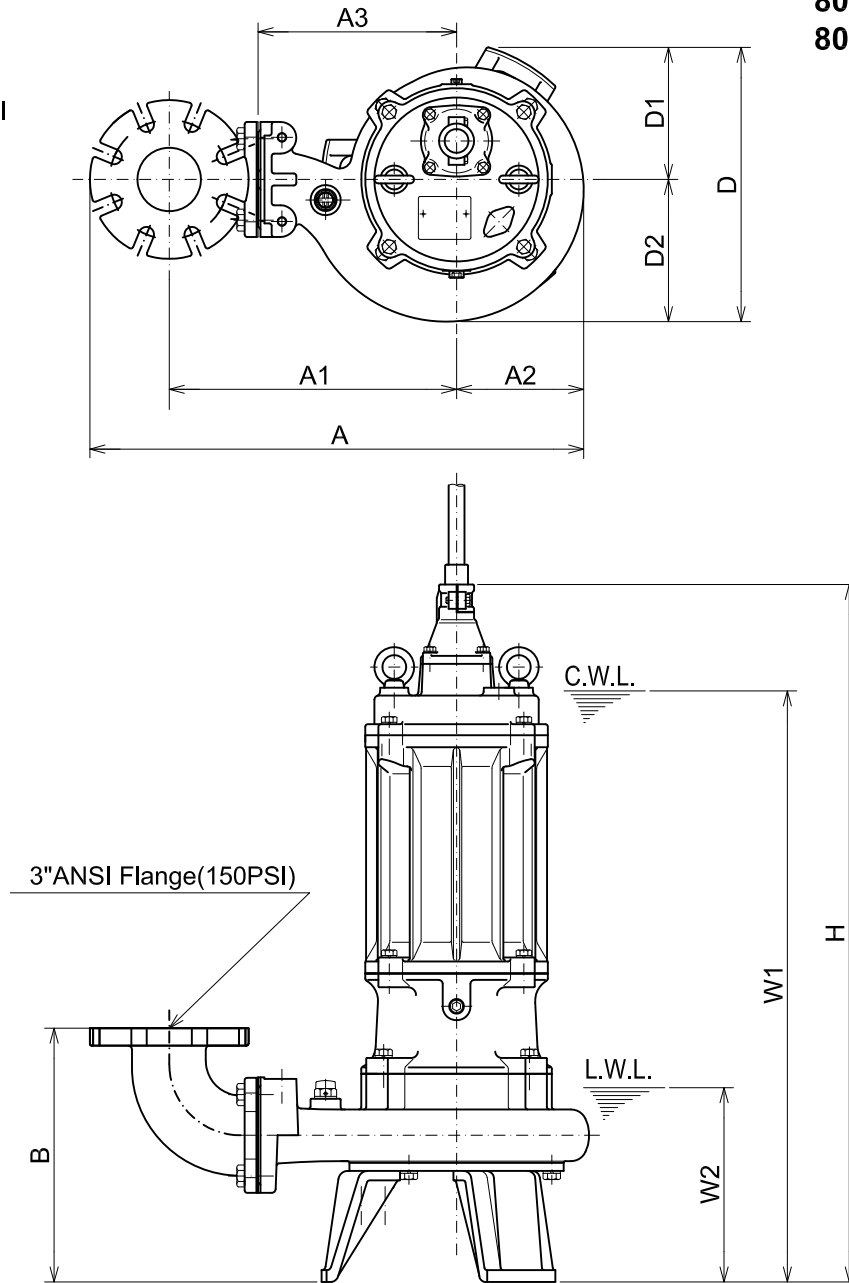


**80C25.5-CR -61  
80C27.5-CR -61**

Bend model:  
BEND80-80 ANSI



C.W.L. :Continuous running Water Level  
L.W.L. :Lowest running Water Level

**DIMENSIONS:USCS(Inch)**

Model	HP	NOM. SIZE	Pump & Motor									C.W.L. W1	L.W.L. W2	*Wt. (lbs.)
			A	A1	A2	A3	B	D	D1	D2	H			
80C25.5-CR -61	7.5	3"	24 15/16	14 5/8	6 5/16	9 13/16	12 5/8	13 9/16	6 9/16	7 1/16	34 5/8	29 3/8	9 5/8	271
80C27.5-CR -61	10	3"	24 15/16	14 5/8	6 5/16	9 13/16	12 5/8	13 9/16	6 9/16	7 1/16	34 5/8	29 3/8	9 5/8	282

\*Excluding Cable.

**DIMENSIONS:METRIC(mm)**

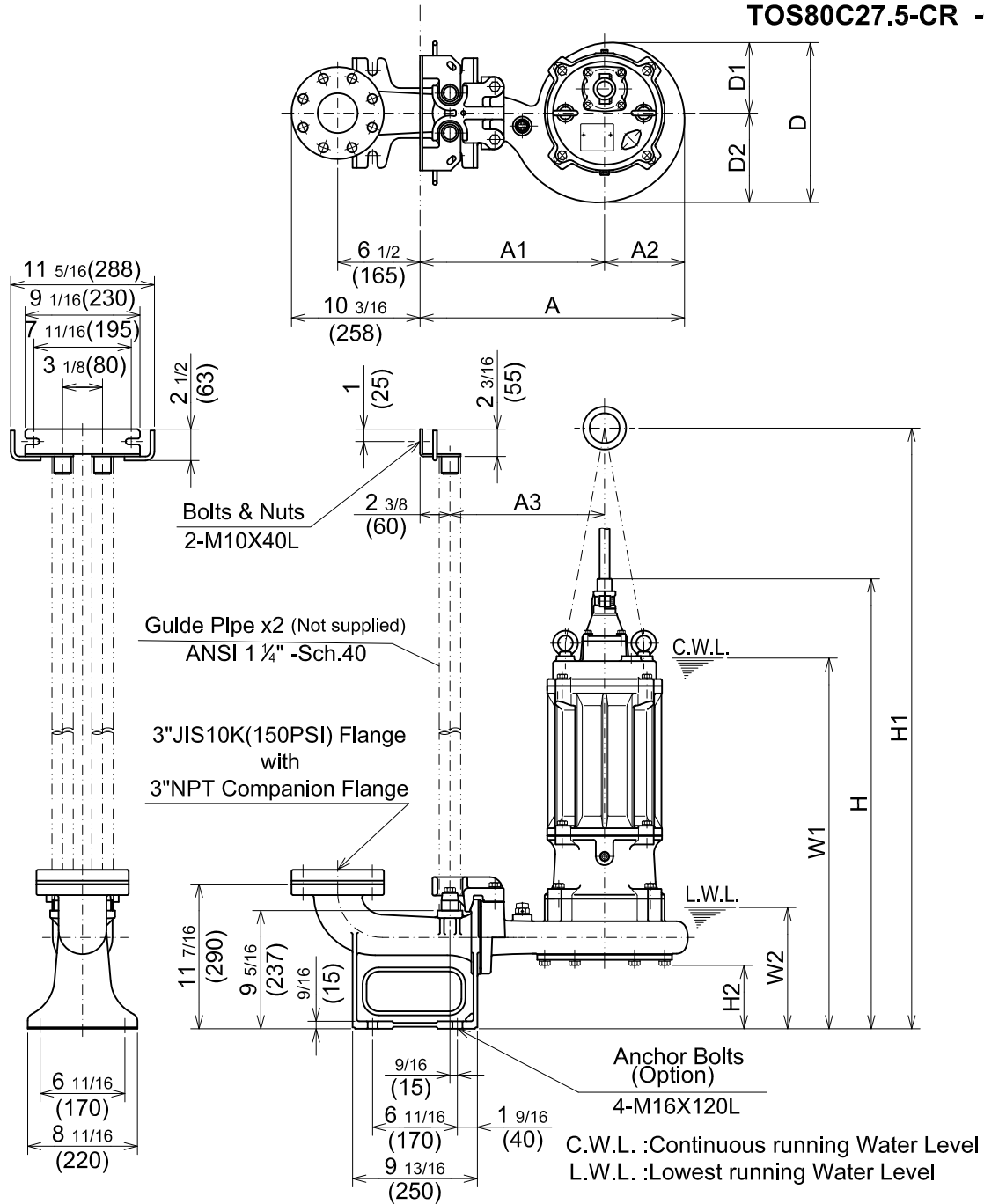
Model	kW	NOM. SIZE	Pump & Motor									C.W.L. W1	L.W.L. W2	*Wt. (kg)
			A	A1	A2	A3	B	D	D1	D2	H			
80C25.5-CR -61	5.5	80	633	372	160	250	320	345	166	179	879	745	245	123
80C27.5-CR -61	7.5	80	633	372	160	250	320	345	166	179	879	745	245	128



**C-SERIES  
CUTTER - TYPE - SEWAGE & WASTEWATER PUMPS**

**DIMENSIONS**

**TOS80C25.5-CR -61  
TOS80C27.5-CR -61**



**DIMENSIONS:USCS(Inch)**

Model	HP	NOM. SIZE	Pump & Motor										C.W.L.	L.W.L.	Wt. (lbs.)
			A	A1	A2	A3	D	D1	D2	H	H1	H2			
TOS80C25.5-CR -61	7.5	3"	20 7/8	14 9/16	6 5/16	12 3/16	12 5/8	5 9/16	7 1/16	35 1/2	47 3/8	5	29 3/8	9 5/8	258
TOS80C27.5-CR -61	10	3"	20 7/8	14 9/16	6 5/16	12 3/16	12 5/8	5 9/16	7 1/16	35 1/2	47 3/8	5	29 3/8	9 5/8	269

**DIMENSIONS:METRIC(mm)**

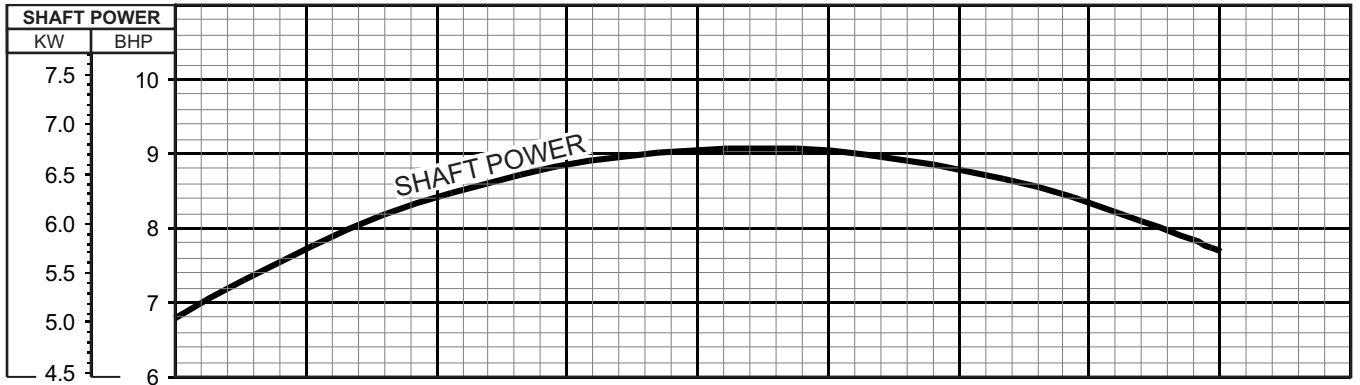
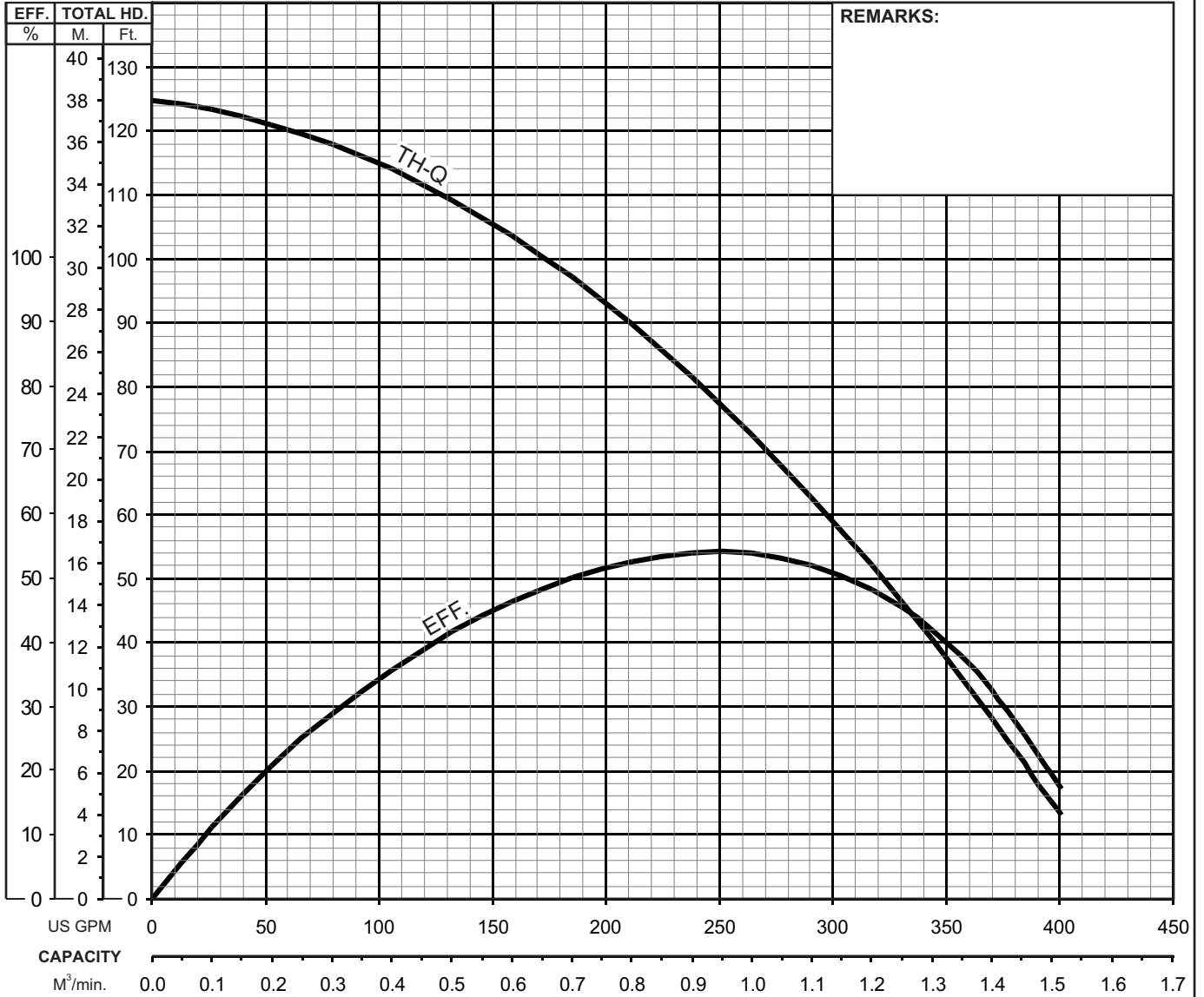
Model	kW	NOM. SIZE	Pump & Motor										C.W.L.	L.W.L.	Wt. (kg)
			A	A1	A2	A3	D	D1	D2	H	H1	H2			
TOS80C25.5-CR -61	5.5	80	530	370	160	310	320	141	179	902	1204	127	745	245	117
TOS80C27.5-CR -61	7.5	80	530	370	160	310	320	141	179	902	1204	127	745	245	122



## C - SERIES CUTTER-TYPE - SEWAGE & WASTEWATER PUMPS

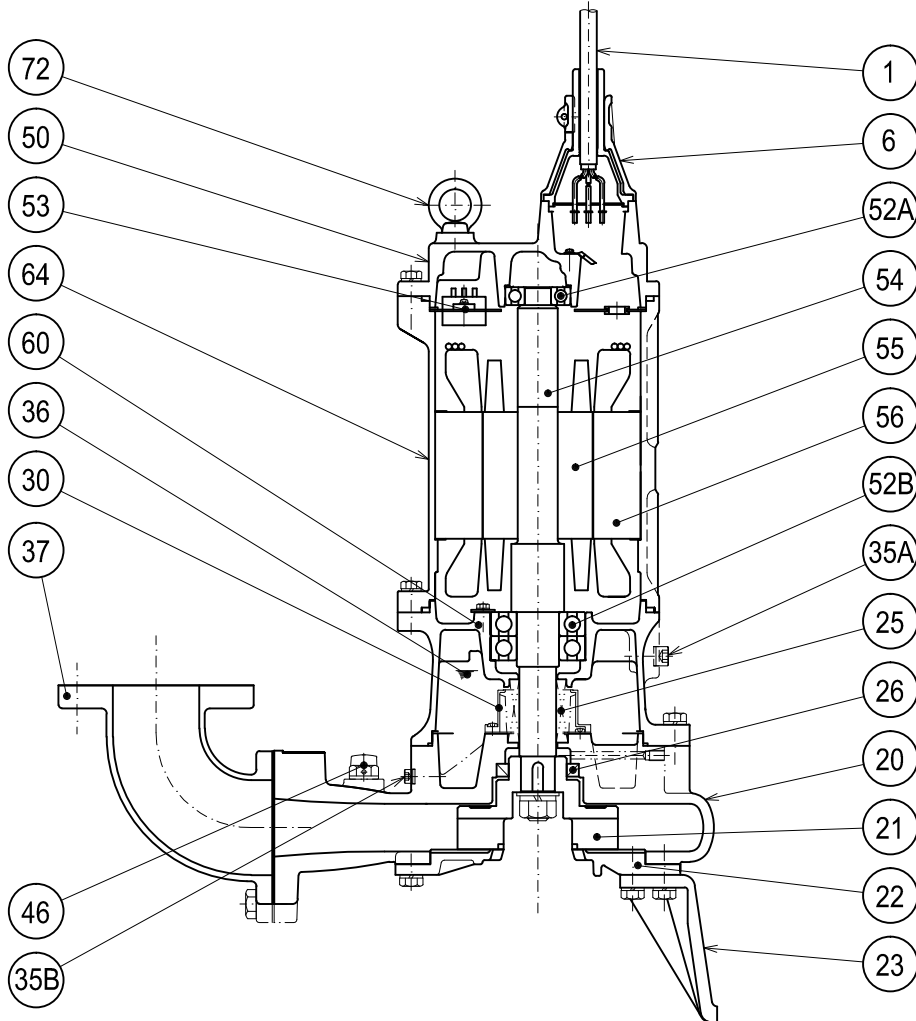
## PERFORMANCE CURVE

MODEL	BORE	HP	KW	RPM	SOLIDS DIA	LIQUID	SG.	VISCOSITY	TEMP.
(TOS) 80C27.5-CR -61	3"/80mm	10	7.5	3545	0.91"/23mm	Water	1.0	1.123 cSt.	60°F
PUMP TYPE	PHASE	VOLTAGE	AMPERAGE		HZ	STARTING METHOD		INS. CLASS	
Cutter-Type - Sewage & Wastewater	3	208-230/460/575	26.9-25.6 / 13.0 / 10.2		60	Direct On Line		F	
CURVE No.	DATE	PHASE	VOLTAGE	AMPERAGE	HZ	STARTING METHOD		INS. CLASS	
-	-	-	-	-	-	-		-	



<b style="font-size: 1.2em;">TSURUMI PUMP</b>	<b>C-SERIES CUTTER - TYPE - SEWAGE &amp; WASTEWATER PUMPS</b>	<b>SECTIONAL VIEW</b>
---	---	-----------------------

**80C27.5-CR -61**



PART#	DESCRIPTION	MAIN MATERIAL / NOTE	RELATED ASTM,AISI CODE	RELATED EN CODE	QTY
1	Power Cable	Chloroprene Sheath AWG 10/4-32ft			1
6	Stuffing Box	Cast Iron	A48M Class30B	EN 1561 GJL-200	1
20	Pump Casing	Cast Iron	A48M Class30B	EN 1561 GJL-200	1
21	Impeller	High Chrome Cast Iron W/Tungsten Carbide	A532 Class III TypeA	DIN 1695 G-X260Cr27	1
22	Suction Cover	High Chrome Cast Iron	A532 Class III TypeA	DIN 1695 G-X260Cr27	1
23	Pump Stand	Cast Iron	A48M Class30B	EN 1561 GJL-200	3
25	Mechanical Seal	Silicon Carbide / H-35			1
26	Oil Seal	NBR / TC557812			1
30	Oil Lifter	PBT Resin W/GF40			1
35A	Oil Plug	Stainless Steel	S 30400	1.4301	1
35B	Oil Plug	Stainless Steel	S 30400	1.4301	1
36	Lubricant	Turbine Oil ISO VG32 or SAE 10W-20			
37	Discharge Bend	Cast Iron / 3"ANSI Flange(150PSI)	A48M Class30B	EN 1561 GJL-200	1
46	Air Release Valve	Nylon			1
50	Motor Bracket	Cast Iron	A48M Class25B	EN 1561 GJL-150	1
52A	Upper Bearing	#6305ZC3			1
52B	Lower Bearing	#6308ZZD2C3			1
53	Motor Protector				1
54	Shaft	Stainless Steel	S 42000	1.4028	1
55	Rotor				1
56	Stator				1
60	Bearing Housing	Cast Iron	A48M Class25B	EN 1561 GJL-150	1
64	Motor Housing	Cast Iron	A48M Class25B	EN 1561 GJL-150	1
72	Lifting Lug Bolt	Steel	A283 Grade D	EN 10025 S275	2

PARTS LIST		SUBMERSIBLE CUTTER PUMP				10/24/2017
ITEM	PART No.	DESCRIPTION	QTY	SIZE	MATERIAL	NOTES
1	001-938-25	Cabtyre Cable Set (32') 60Hz (USA)	1	2PNCT4Cx5.5mm2	KR-2	
2	140-055-10	Hex.Bolt	4	M8x25	SUS304	
3	142-163-18	Spring Washer	4	M8	SUS304	
4	070-107-18	Cable Clamp	1		FC	included in ITEM#1 Cable Ass'y
5	140-035-14	Hex.Bolt	2	M6x20	SUS304	included in ITEM#1 Cable Ass'y
6	006-126-14	Stuffing Box	1	No.2	FC	included in ITEM#1 Cable Ass'y
7	008-143-13	Mould Cover	1	KR2-8	CR	included in ITEM#1 Cable Ass'y
8	143-013-15	Pan Screw	1	M4x6	SWRM	
9	142-160-31	Spring Washer	1	M4	SWRH	included in ITEM#1 Cable Ass'y
10	009-130-10	Terminal	1	R-5.5-4	CU	included in ITEM#1 Cable Ass'y
11	009-276-19	Compression type Terminal	3	TMNB-5.5(Insulated)		
12	072-102-48	Eye Bolt	2	M12	SS	can substitute 072-102-22 (SUS304)
13	140-078-19	Hex.Bolt	4	M10x35	SUS304	
14	142-164-19	Spring Washer	4	M10	SUS304	
15	050-435-16	Motor Bracket	1		FC	
16	122-151-11	O-Ring	1	G-200(199.3xd5.7)	NBR	*
17	142-197-11	Wave Washer	1	6305	SK5	
18	052-108-13	Bearing	1	6305ZZC3		
19	122-244-12	O-Ring	1	61.4xd3.1	NBR	*
20	143-126-38	Pan Screw (w/Spring Washer/Plain Washer)	2	M4x12	SWRM	
21	053-000-05	Motor Protector 230V-60Hz(USA)	1	KA314-HLBL00	(B.C)	
	053-000-29	Motor Protector 460V-60Hz(USA)	1	KA314-HRBL201	(H.C)	
22	058-184-11	Lead Wire Protection Plate	1	d90xd224x1.6t	SPHC	
23	055-001-54	Rotor	1Set			
24	147-066-15	Impeller Key	1	10x8x22l	SUS420	
25	056-000-19	Stator 230V-60Hz(USA)	1Set			
	056-000-21	Stator 460V-60Hz(USA)	1Set			
26	140-079-10	Hex.Bolt	4	M10x40	SUS304	
27	142-164-19	Spring Washer	4	M10	SUS304	
28	064-000-11	Motor Frame	1		FC	
29	122-151-11	O-Ring	1	G-200(199.3xd5.7)	NBR	*
30	140-000-06	Hex.Bolt (w/Spring Washer/Plain Washer)	3	M6x12	SWCH	
31	052-139-13	Bearing	1Set	6308ZZD2C3		
32	140-100-11	Hex.Bolt	4	M12x45	SUS304	
33	142-165-10	Spring Washer	4	M12	SUS304	
34	060-001-08	Bearing Housing	1		FC	
35	121-247-12	Packing	1	d12.3xd18x2t	PE	*
36	035-113-18	Oil Plug	1	M12x14	SUS304	

PARTS LIST		SUBMERSIBLE CUTTER PUMP				10/24/2017
ITEM	PART No.	DESCRIPTION	QTY	SIZE	MATERIAL	NOTES
37	025-195-13	Mechanical Seal	1	H-35	SiC	
38	143-070-23	Pan Screw	2	M5x6	SWRM	
39	030-156-18	Oil Lifter	1	H-35(A)(T)	Resin	
40	143-070-10	Pan Screw	3	M5x6	SWRM	
41	030-150-12	Seal Stopper	1	H-35(A)(T)	SPCC	
42	122-281-11	O-Ring	1	190xd3.1	NBR	*
43	046-107-13	Air Release Valve	1	PT-1/2	Nylon	
44	035-112-17	Oil Plug	1	M8x12	SUS304	
45	121-248-13	Packing	1	d8.2xd13.5x2t	PE	*
46	020-002-07	Pump Casing	1	80C25.5/2.75/211-CR-51/61	FC	
47	026-114-11	Oil Seal	1	TC-557812	NBR	
48	040-113-14	Impeller Shim		d32.5xd48x0.3t	SUS304	
49	021-007-07	Impeller (60Hz)	1	80C27.5-CR-61	HiCrFC	
50	142-131-17	Plain Washer	1	M20	SUS304	
51	142-168-13	Spring Washer	1	M20	SUS304	
52	141-009-12	Hex.Nut	1	M20	SUS304	
53	120-121-16	Packing		d204xd264x0.3t	PE	
54	022-001-46	Suction Cover	1	80C25.5/27.5-CR-61	HiCrFC	
55	142-165-10	Spring Washer	3	M12	SUS304	
56	140-096-13	Hex.Bolt	3	M12x25	SUS304	
57	023-288-18	Pump Stand	3	55/110-CE2	FC	
58	142-165-10	Spring Washer	3	M12	SUS304	
59	140-096-13	Hex.Bolt	3	M12x25	SUS304	
60	142-165-10	Spring Washer	3	M12	SUS304	
61	140-099-16	Hex.Bolt	3	M12x40	SUS304	
62	140-130-36	Hex.Bolt	8	M16x70	SWRM	
63	048-000-54	Screwed Flange	1	NPT-3(JIS10K)	FC	
64	121-105-33	Packing	1	JIS10Kx80mm	NR	
65	037-169-15	Discharge Bend	1	80x80mm	FC	
66	142-166-37	Spring Washer	8	M16	SWRH	
67	141-008-11	Hex.Nut	8	M16	SUS304	
68	140-124-11	Hex.Bolt	4	M16x40	SUS304	
69	121-152-19	Packing	1	145mm2(P.C.145)	NBR	*
	173-000-59	<b>Packing O-Ring Set</b>	1Set	(Marked by *)		
16	122-151-11	O-Ring (M.Bracket/M.Frame)	1	G-200(199.3xd5.7)	NBR	*
19	122-244-12	O-Ring (Upp. Bearing)	1	61.4xd3.1	NBR	*
29	122-151-11	O-Ring (M.Frame/Brq.Housing)	1	G-200(199.3xd5.7)	NBR	*
35	121-247-12	Packing (Oil Plug)	1	d12.3xd18x2t	PE	*



MODEL 80C27.5-CR-61

PARTS LIST		SUBMERSIBLE CUTTER PUMP				10/24/2017
ITEM	PART No.	DESCRIPTION	QTY	SIZE	MATERIAL	NOTES
42	122-281-11	O-Ring (Brq.Housing/P.Casing)	1	190xd3.1	NBR	*
45	121-248-13	Packing (Oil Plug)	1	d8.2xd13.5x2t	PE	*
69	121-152-19	Packing (Discharge Bend)	1	145mm2(P.C.145)	NBR	*
		Lubricant		Turbine Oil VG32 2,240ml		

\* Indicates items included in set

PARTS LIST		SUBMERSIBLE CUTTER PUMP				10/24/2017
ITEM	PART No.	DESCRIPTION	QTY	SIZE	MATERIAL	NOTES

## EXPLODED VIEW

(TOS) 80C25.5-CR-51/61  
 (TOS) 80C27.5-CR-51/61

